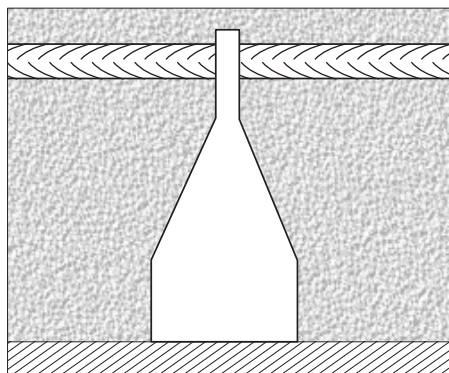


2364 Haines Rd., Unit 20-21 Mississauga, Ontario Canada

Plastic Chair (clip-on)

Extra Sturdy Spacer for bottom reinforcement. Clamp holds rebar in place.

Plastic Chair Model No. 5520

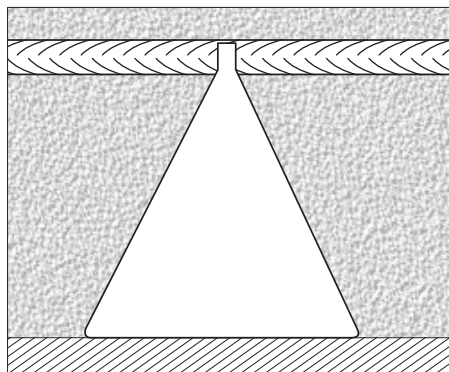


MODEL NO.	COVER	BAR NO.	STD. PACK
5510	25mm	up to 20m	1000
5515	40mm	up to 20m	500
5520	50mm	up to 20m	350
5415	40mm	up to 25m	500

Plastic Chair (open)

Open construction ease of installation in precast concrete units.

Plastic Chair Model No. 5615

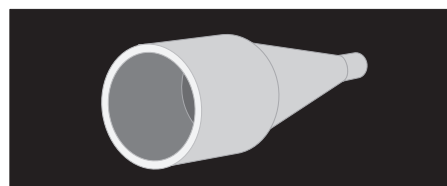
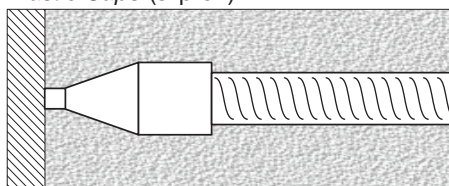


MODEL NO.	COVER	BAR NO.	STD. PACK
5610	25mm	up to 25m	750 pcs
5615	40mm	up to 40m	500 pcs

Plastic Caps (slip-on)

End Spacers used for the positioning of mesh and rebar for horizontal and vertical placement in precast concrete units.

Plastic Caps (slip-on)



MODEL NO.	COVER	BAR NO.	STD. PACK
5015	40mm	15m	1000
5010	40mm	10m	1000
5007	40mm	D7 wire	1000
5006	40mm	D5	1000
5004	40mm	W4	1000